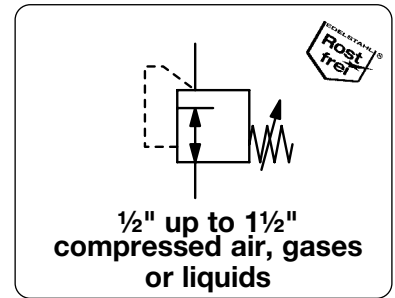


STAINLESS STEEL TRI CLAMP PRESSURE REGULATOR

RTC

Description Pressure regulator with flange, piston operated, made of stainless steel
Media compressed air, gases or liquids
Supply pressure max. 25 bar
Surface Electropolished body with roughness Ra <4 µm on inside wetted surfaces. All metallic parts are machined from the solid bar. No threaded connections exposed to the fluid. The regulator is virtually pocket and sterilizable with steam.
Adjustment by adjusting screw RTC-04 and -06, by T-handle RTC-08 and -12
Relieving function non-relieving
Gauge port no pressure gauge connection, optionally G¼
Temperature range -40°C to 175°C / -40°F to 347°F
Material Body, bonnet, piston and inner parts: AISI 316L, gasket: EPDM or FKM corresponding to FDA
 Main valve spring: AISI 302, Adjusting spring: C85, nickel plated NiP/Fe 15 µm
 All springs are not in contact with fluid.



Dimensions				K _v -value	Flow rate	Connection ASME-BPE	Pressure range bar	Order number
A	B	C	ØD					
mm	mm	mm	mm	m³/h¹	l/min¹			

Tri Clamp Pressure Regulator						supply pressure max. 25 bar, EPDM for compressed air, gases, liquids and steam	RTC	
140	183	57	25	1,4	2200	1/2"	0,2 ... 1,5 0,3 ... 3,0 0,8 ... 8,0	RTC-04A RTC-04B RTC-04D
140	183	57	25	1,4	2200	3/4"	0,2 ... 1,5 0,3 ... 3,0 0,8 ... 8,0	RTC-06A RTC-06B RTC-06D
180	327	77	50,5	8,4	22000	1"	0,2 ... 1,5 0,3 ... 3,0 0,8 ... 8,0	RTC-08A RTC-08B RTC-08D
180	327	75	50,5	8,4	22000	1 1/2"	0,2 ... 1,5 0,3 ... 3,0 0,8 ... 8,0	RTC-12A RTC-12B RTC-12D



RTC-04.M/-06.M



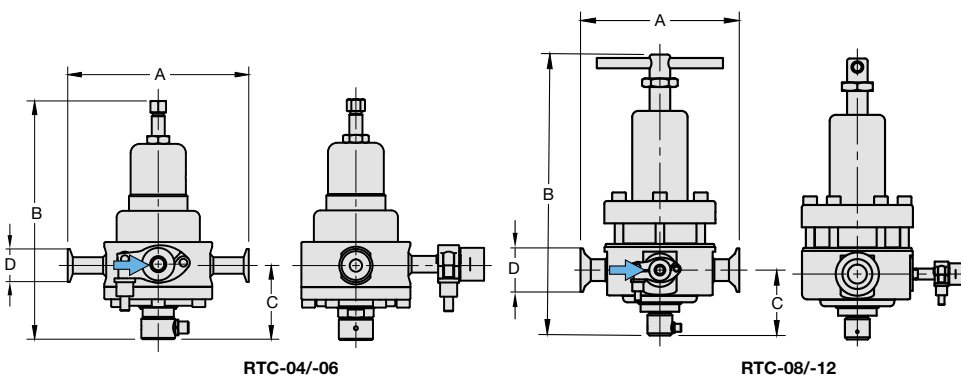
RTC-08/-12

Special Options, add the appropriate letter

FKM o-ring		RTC... T
EPDM o-ring	FDA approval	RTC... TD
to 200 °C	high temperature version	RTC... X68
ammonia	NH ₃	P ₁ max. 15 bar RTC... 02
nitrogen	N ₂	RTC... 07
oxygen	O ₂	RTC... 15
water	H ₂ O	RTC... W
neutral gas	CO ₂ , Ar, He, H ₂ , CH ₄ , C ₃ H ₈ , N ₂ O	RTC... XX
pressure gauge	G¼	RTC... M

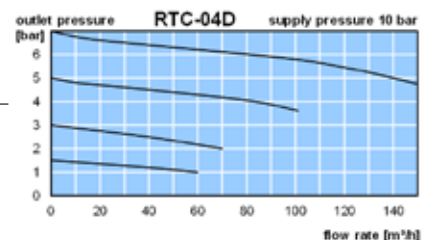
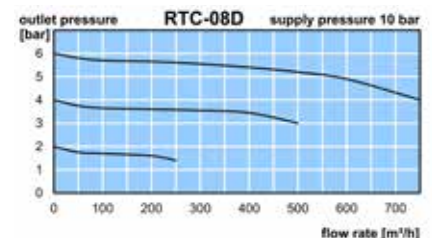
Accessories, enclosed

pressure gauge	Ø 50 mm, 0...*2 bar	G¼	for 1/2" a. 3/4"	MS5002-...*2
	Ø 63 mm, 0...*2 bar	G¼	for 1" a. 1 1/2"	MS6302-...*2
mounting bracket			for 1/2" a. 3/4"	BW45-03S
mounting nut			for 1/2" a. 3/4"	M45x1,5S
mounting bracket			for 1" a. 1 1/2"	BW00-27S



RTC-04/-06

RTC-08/-12



*1 at 10 bar supply pressure, 7 bar outlet pressure and 2 bar pressure drop
 *2 02 = 0...2,5 bar, 04 = 0...4 bar, 10 = 0...10 bar

Gauges: see chapter for measuring devices

PDF CAD
 www.aircom.net



Order example:
 RTC-04A